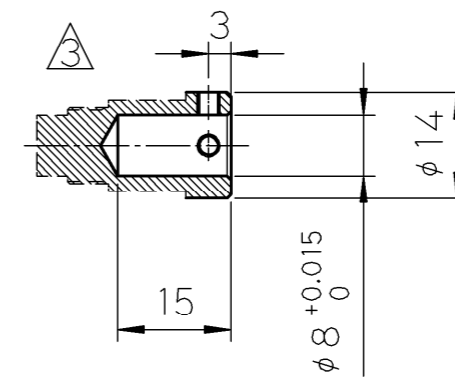
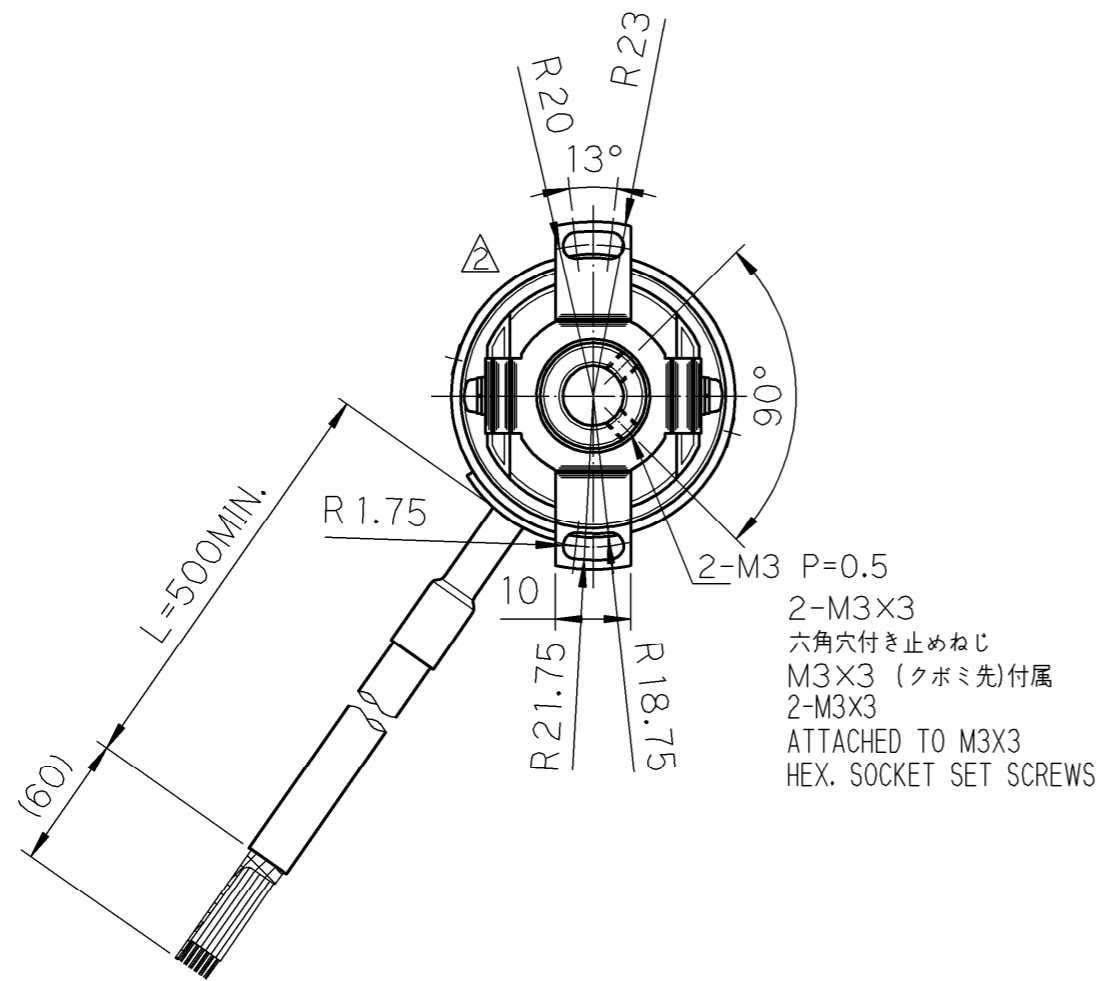
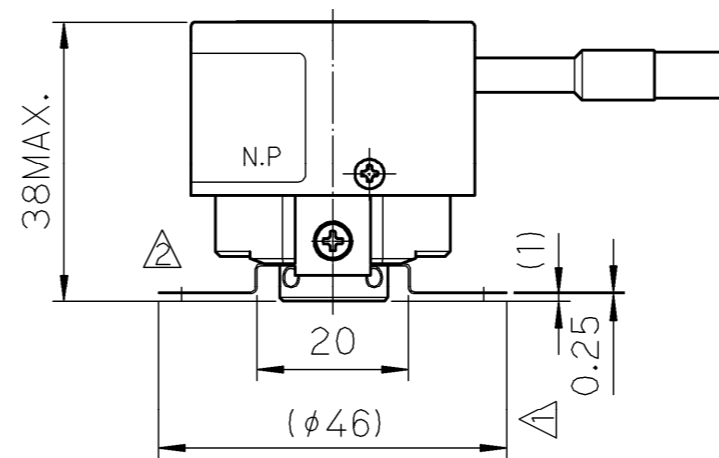
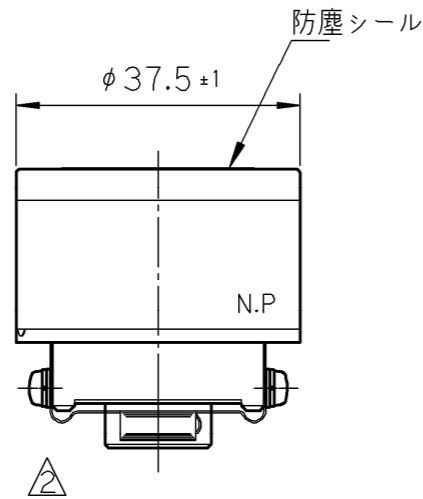
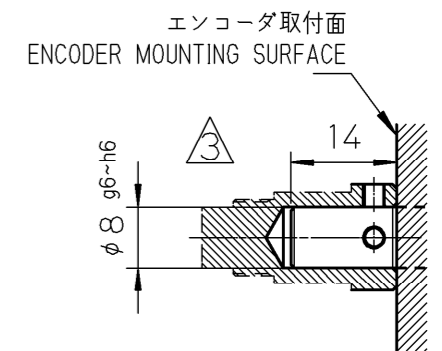


REVISIONS		
No.	DESCRIPTION	DATE / SIGN
①	取り付けバネ厚さ変更	10. 7.21
②	軸受形状変更	10. 9.20
③	軸非貫通	10.10.22



軸詳細図
ENCODER SHAFT



推奨モータ軸
MOTOR SHAFT

DIMENSIONS TOLERANCE ±0.5mm (UNLESS OTHERWISE SPECIFIED)

DS'D K. Shimodaira	DATE 10. 3. 8	MODEL NO.	TITLE FA-CODER OUTLINE											
CH'D K. Tamura	SCALE 1/1	3RD ANGLE PROJECTION							8	9	10	11	12	SHEET
APP'D K. Tamura	DWG NO.	3	4	5	6	7	8	9	10	11	12	SHEET		
		0	T	D	0	0	0	4	4	1	W	0	0	✓