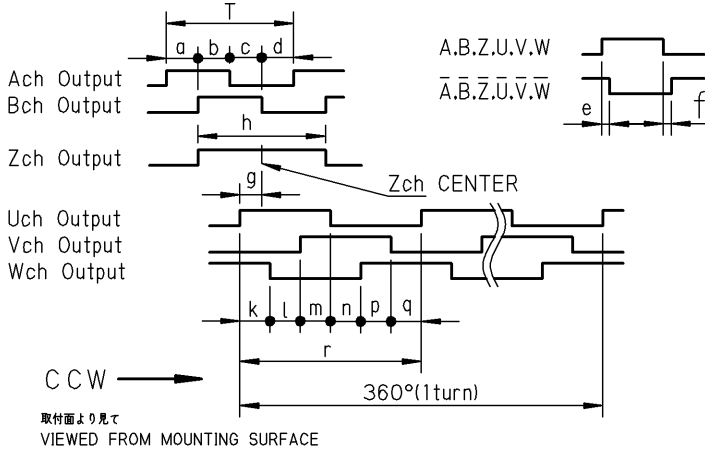


FA-コーダ 仕様書
FA-CODER SPECIFICATION

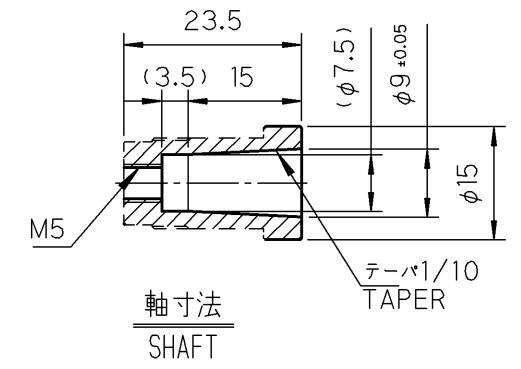
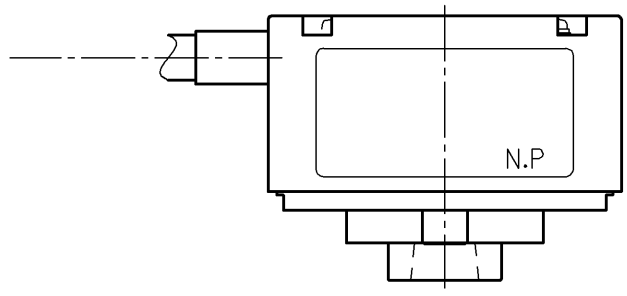
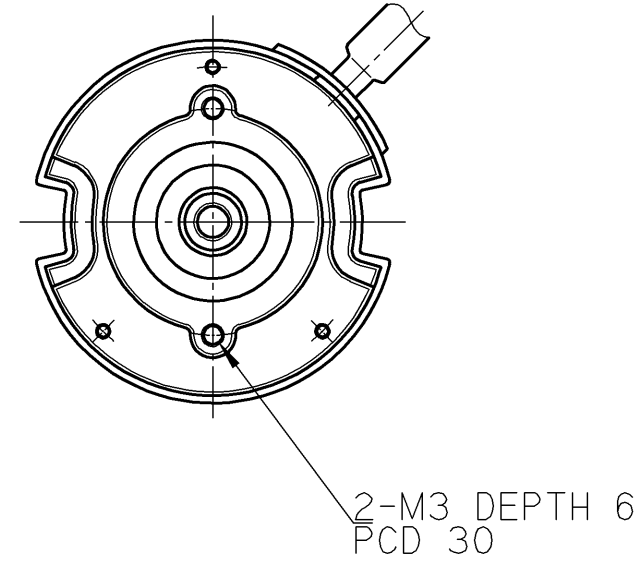
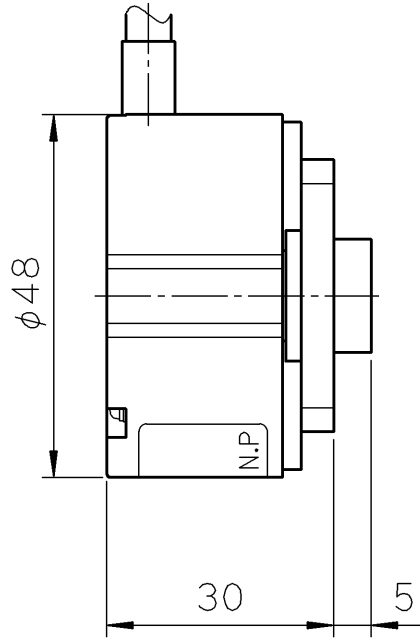
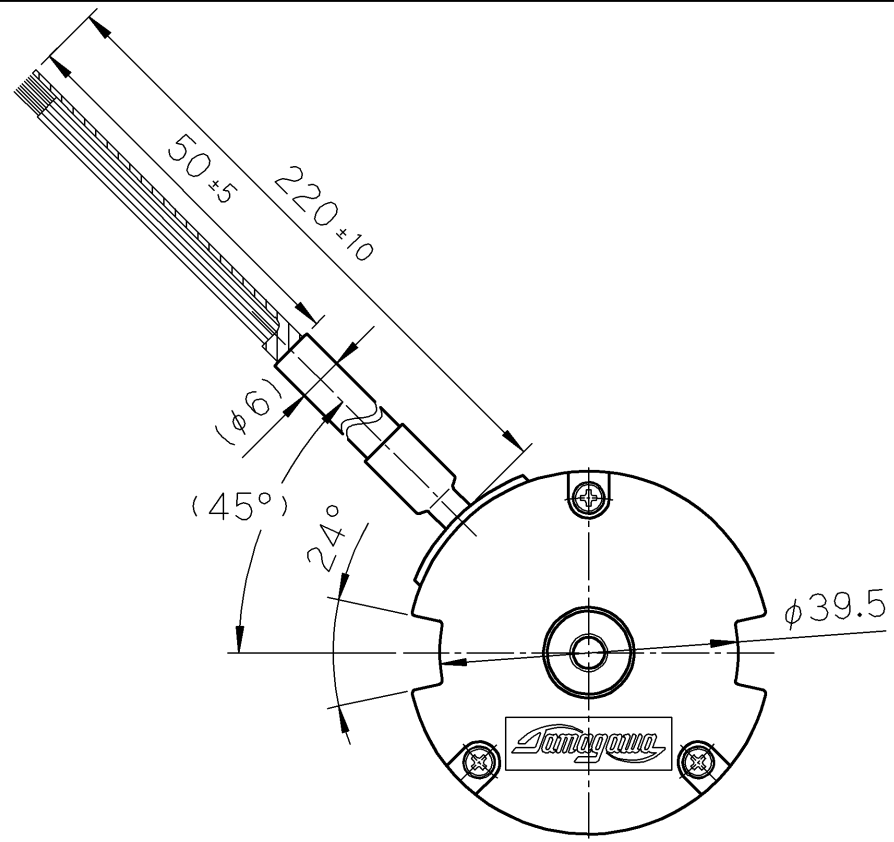
| | | | | | | |
|---|-------------------------|--------------------------|----------------------------------|---|---------------------------------|---------|
| 機能名 NOMENCLATURE | 0IH48-2500P8-L6-5V | | 型式 MODEL | TS5214N8566 | | |
| 電源 SUPPLY | DC+5V ±5% | | 外形図 OUTLINE | OTD000324W00 | | |
| | 200 mA MAX. | | 出カリード線 OUTPUT LEADWIRE | L=220±10 | | |
| 項目 REQUIREMENT | 仕様 VALUE | 備考 NOTE | 項目 REQUIREMENT | 仕様 VALUE | 備考 NOTE | |
| 符号 CODE | インクリメンタル INCREMENTAL | | 慣性能率 MOMENT OF INERTIA | 6.5X10 ⁻⁶ Kg-m ² MAX. | 設計値 TYPICAL | |
| 分解能 RESOLUTION | 2500 C/T | Zch 1 C/T UVWch 4 C/T | 摩擦トルク STARTING TORQUE | 9.8X10 ⁻³ N-m MAX. | AT 20°C | |
| 出力回路 OUTPUT CIRCUIT | LINE DRIVER | AM26C31 | 最大回転速度 SLEW SPEED | 6000 min ⁻¹ MAX. | 機械的 MECHANICAL | |
| 出力信号 OUTPUT SIGNAL | "1" | DC+2.4V MIN. | 許容軸荷重 ALLOWABLE SHAFT LOAD | 半径方向 RADIAL | 27 N MAX. | セツピ位置にて |
| | "0" | DC+0.5V MAX. | | 軸方向 AXIAL | 8.7 N MAX. | |
| 許容出力電流 SINK/SOURCE CURRENT | ±20 mA MAX. | 設計値 TYPICAL | 軸倒れ ANGLE | 0.1° MAX. | | |
| 立上り、立下り時間 RISE/FALL-TIME | 100 nsec MAX. | 設計値 TYPICAL | 許容角加速度 ACCELERATION RATE | 10 ⁴ rad/sec ² | | |
| 応答周波数 FREQUENCY RESPONSE | 200 kHz MAX. | 電氣的 ELECTRICAL | 質量 MASS | 0.3 Kg MAX. | ケーブル除く WITHOUT CABLE | |
| 絶縁抵抗 INSULATION RESISTANCE | 10MΩ | DC500VMEGA GND-CASE | 動作温度範囲 OPERATING TEMP. | -20°C ~ +85°C | | |
| 絶縁耐圧 DIELECTRIC STRENGTH | AC500V 1min | GND-CASE | 保存温度範囲 STORAGE TEMP. | -25°C ~ +85°C | | |
| ノイズ耐量 NOISE MARGIN | 80 v | 1μsec GND-CASE.GND-5V | 耐湿性 HUMIDITY | 95 %RH MAX. | 結露させぬこと WITHOUT CONDENSATION | |
| 位相差 e.f DIFFERENT OF PHASES (e.f) | 100 nsec MAX. | | 光源 LIGHT SOURCE | LED | | |
| 累積ピッチ誤差 ABSOLUTE ACCURACY | 50 arc·sec MAX. | 0~200KHz | 耐振動性 VIBRATION | 1.52mm, 5~40Hz 49m/s ² , 40~200Hz | 3方向各2Hr 3AXIS 2HR EACH | |
| 隣接ピッチ誤差 EDGE TO ADJACENT EDGE ACCURACY | 0.01T MAX. | 0~200KHz | 耐衝撃性 SHOCK | 980m/s ² , 11msec | 6方向各3回 6AXIS 3TIMES EACH | |
| | | | 保護構造 PROTECTION | IP=40 | IEC529 | |



| CONNECTION | PAIR No. | COLOR | FUNCTION | PAIR No. | COLOR | FUNCTION | PAIR No. | COLOR | FUNCTION |
|------------|----------|--------------|------------|------------|-------|-------------|-------------------|------------|---|
| | 1 | | BLUE | Ach Output | 4 | BROWN | Uch Output | 7 | RED |
| | | BLUE/BLACK | Āch Output | | | BROWN/BLACK | Ūch Output | | |
| 2 | | GREEN | Bch Output | 5 | GRAY | Vch Output | SHIELD/DRAIN WIRE | NC | |
| | | GREEN/BLACK | Īch Output | | | GRAY/BLACK | | Țch Output | (CABLE SIZE) OD : φ6.0 ±0.3 CORE : 19/0.08(28AWG) INSULATOR : φ0.76 TYP. |
| 3 | | YELLOW | Zch Output | 6 | WHITE | Wch Output | | | |
| | | YELLOW/BLACK | Țch Output | | | WHITE/BLACK | Țch Output | | |

| | | | | | | | | | | | |
|----------|-------------|------------------------|---|---|---|---|---|----|----|----|-------|
| DATE | MODEL NO. | TITLE. FAコーダ仕様書 | | | | | | | | | |
| 10. 1.29 | TS5214N8566 | FA-CODER SPECIFICATION | | | | | | | | | |
| DWG NO. | 3 | 4 | 5 | 6 | 7 | 8 | 9 | 10 | 11 | 12 | SHEET |
| SPC | 0000 | 4 | 1 | 9 | W | 0 | 0 | 0 | 0 | 0 | 0 |

| REVISIONS | | | |
|-----------|-------------|------|------|
| No. | DESCRIPTION | DATE | SIGN |
| | | | |



Two M3 cross recessed head machine screws are attached.
 Tightening torque for shaft attachment : 0.9N·m
 Unless otherwise specified tolerance is ±0.5mm

UNIT mm

| | | | | | | | | | | | | | | |
|-----------------------|------------------|----------------------|------------------------------|---|---|---|---|---|----|----|----|-------|---|--|
| DS'D K. Shimodaira | DATE 10. 2.10 | MODEL NO. | TITLE FA-CODER OUTLINE | | | | | | | | | | | |
| CH'D H. Kumagai | SCALE 1/1 | 3RD ANGLE PROJECTION | | | | | 8 | 9 | 10 | 11 | 12 | SHEET | | |
| APP'D K. Tamura | DWG NO. | 3 | 4 | 5 | 6 | 7 | 8 | 9 | 10 | 11 | 12 | SHEET | | |
| | | 0 | T | D | 0 | 0 | 0 | 3 | 2 | 4 | W | 0 | 0 | |